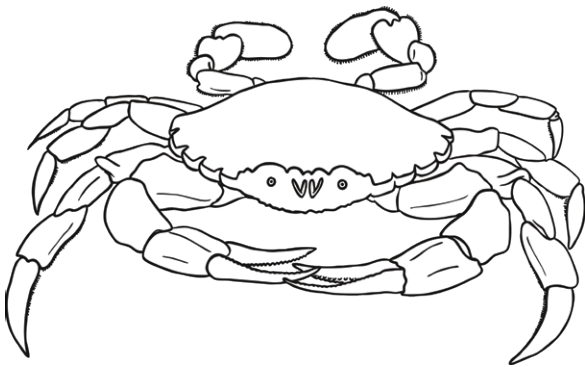


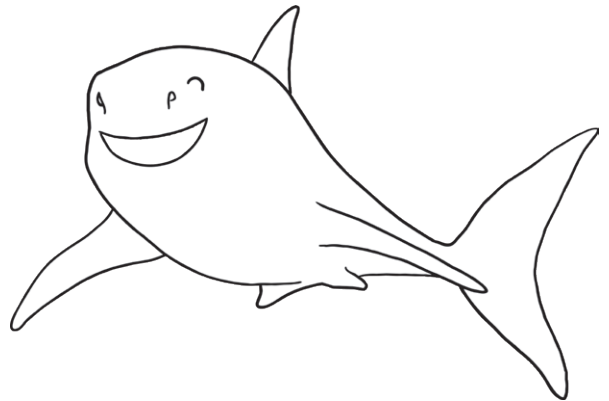
# Under the Sea Early Reading Comprehension Activity

Read the sentence. Add the information to the picture.

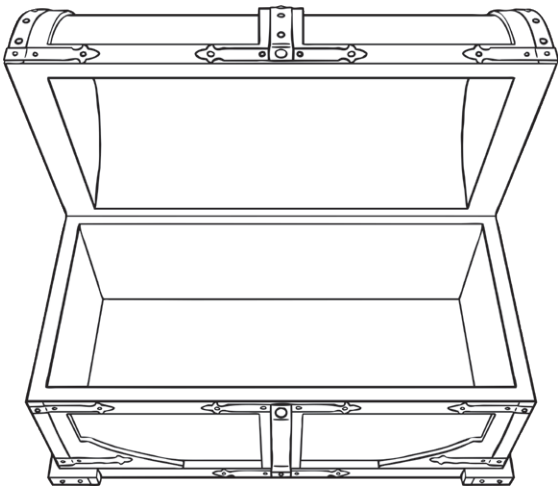
The crab is red.



The shark has ten teeth.



The chest has six coins.



The mermaid held a shell in her hand.

